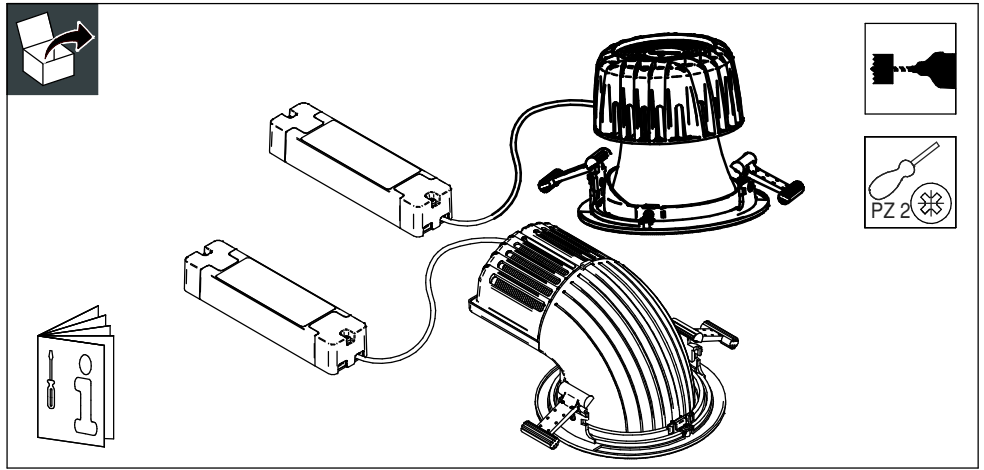


PHILIPS

LuxSpace Accent Performance

RS750B, RS751B
RS752B



Model	Lumen package	Color Temperature [K]	kg
	LED19S	FMT/ROSE	1,3
RS750B	LED27S	827/830/840/930/ROSE/FR/CRW/CH/FMT	1,3
RS751B	LED39S	827/830/840/930/FR/CRW	1,3
RS752B	LED49S	827/830/840/930	1,3

Product Information

RS750B

Dimensions in mm

IP44

RS751B

357° 30°

IP20

	x	y	z
PSE-E	190	46	32
PSED-E	200	74	32

RS752B

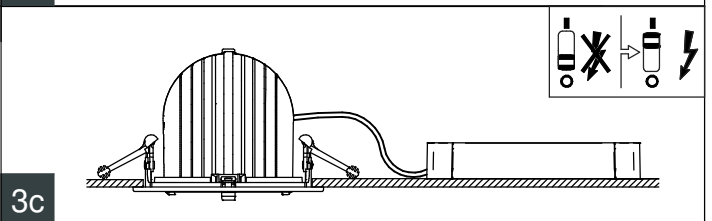
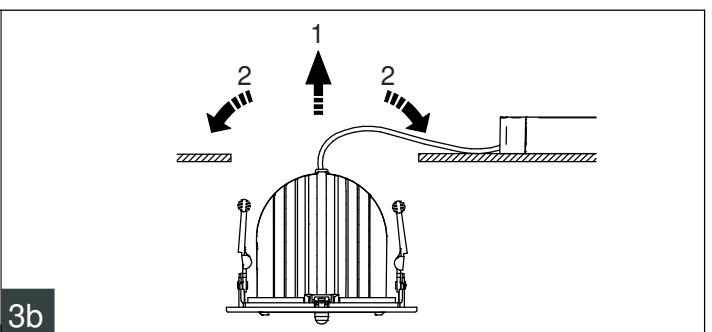
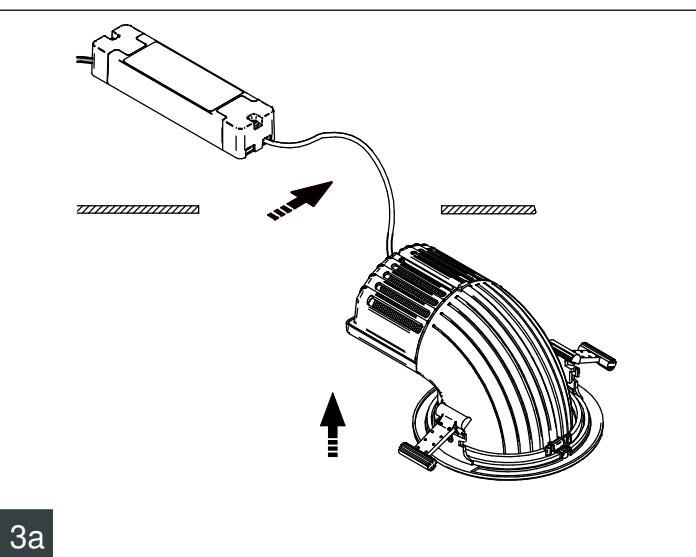
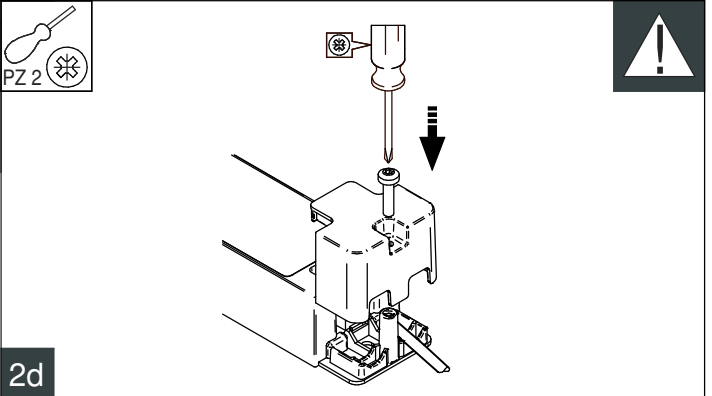
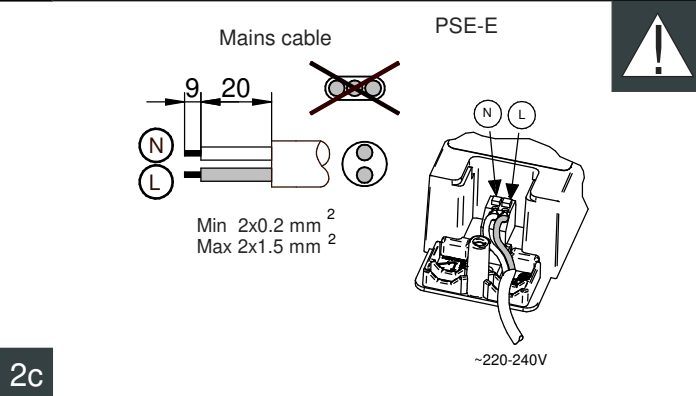
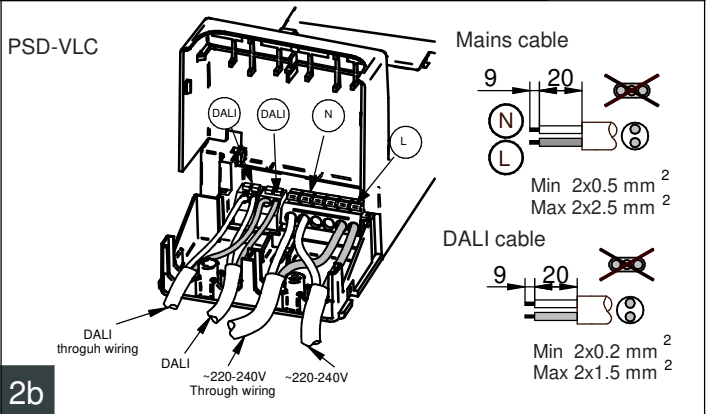
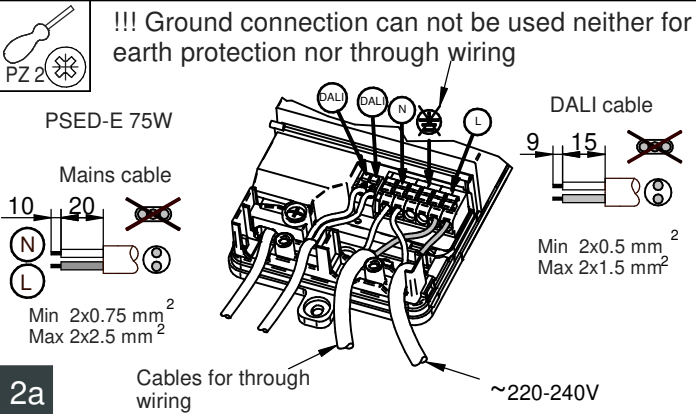
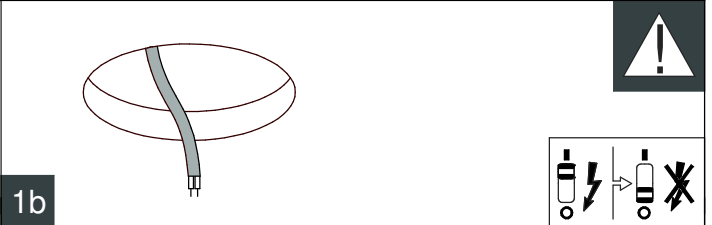
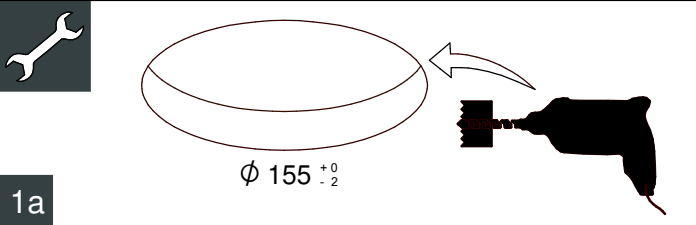
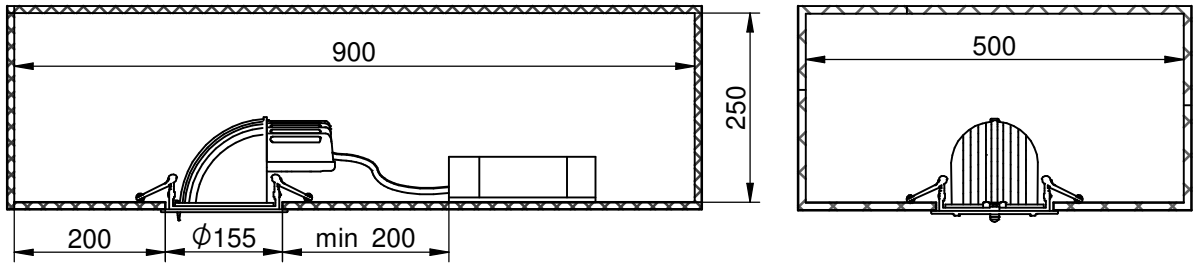
IP20

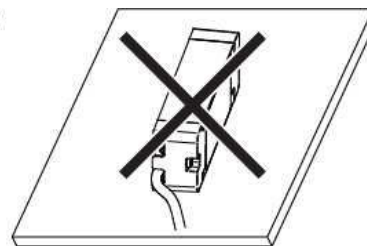
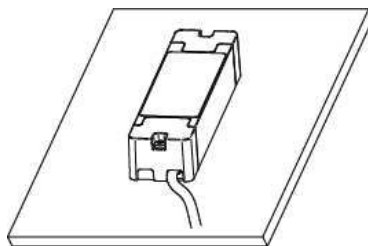
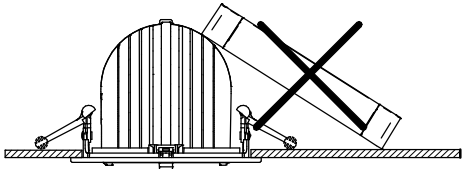
357° 82°

	x	y	z
PSE-E	190	46	32
PSED-E	200	74	32

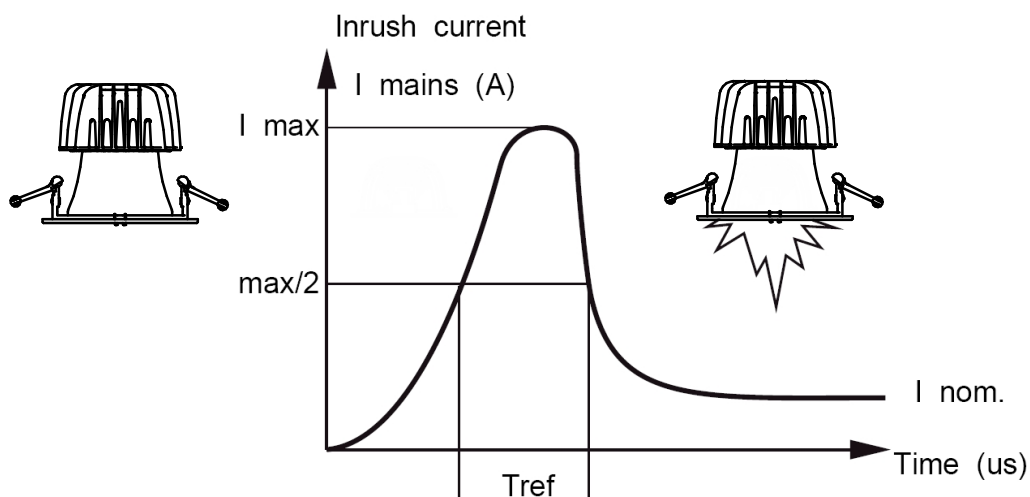
RS750B
RS751B
RS752B

Minimal built-in dimensions

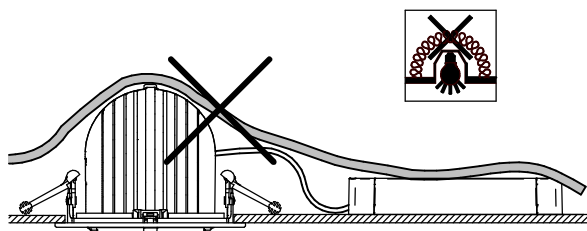




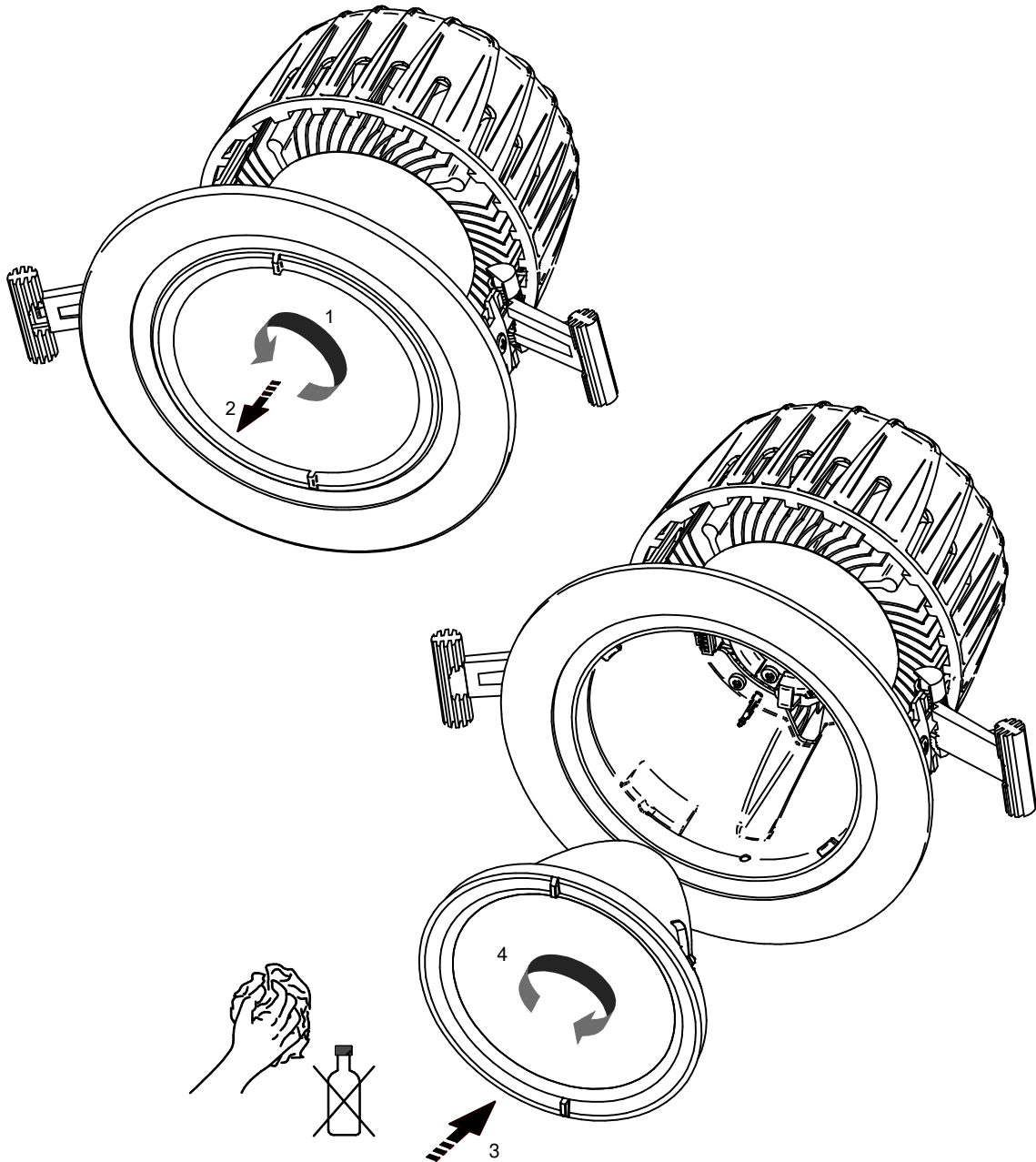
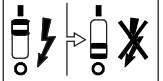
Xtanium 36W WH 0.3-105A 54V Is (PSE-E)		Xtanium 36W WH 0.3-1A 54V TD/Is CL (PSED-VLC)		XITANIUM 50W WH 0.7-1.5A 54V IS (PSE-E)		Xtanium 50W WH 0.7-1.5A 54V TD/Is CL 230V (PSED-VLC)	
Imax. (A)	16	Imax. (A)	20,4	Imax. (A)	23,5	Imax. (A)	24,9
Tref. (ms)	0,216	Tref. (ms)	0,195	Tref. (ms)	0,272	Tref. (ms)	0,186
MCB	Max. Products (pcs)*	MCB	Max. Products (pcs)*	MCB	Max. Products (pcs)*	MCB	Max. Products (pcs)*
B-10A	20	B-10A	15	B-10A	15	B-10A	17
B-16A	33	B-16A	24	B-16A	24	B-16A	27
C-10A	34	C-10A	24	C-10A	24	C-10A	28
C-16A	56	C-16A	40	C-16A	40	C-16A	45



Luminaire not suitable for being covered with thermally insulating material.



Reflector accessory changing instructions



Only with soft clothes!
Do not push hard!

© 2018 Signify Holding.

All rights reserved. This document contains information relating to the product portfolio of Signify which information may be subject to change. No representation or warranty as to the accuracy or completeness of the information included herein is given and any liability for any action in reliance thereon is disclaimed. The information presented in this document is not intended as any commercial offer and does not form part of any quotation or contract. Philips and the Philips Shield Emblem are registered trademarks of Koninklijke Philips N.V.. All other trademarks are owned by Signify Holding or their respective owners.

Signify Holding.
The Netherlands