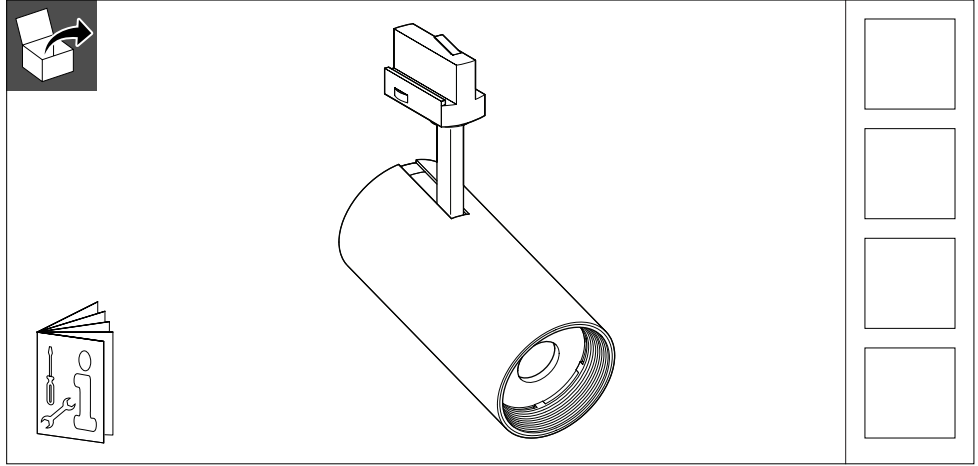


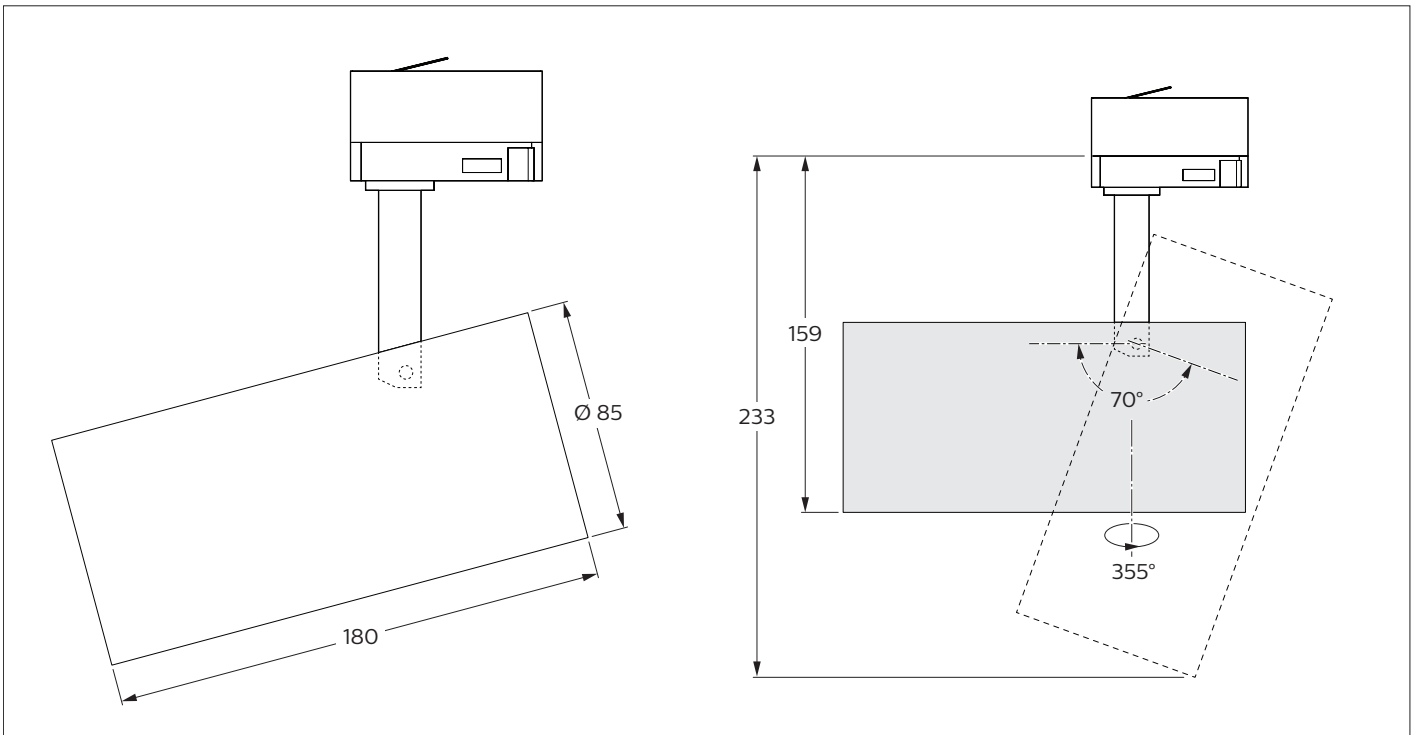
PHILIPS

Coreline Projector

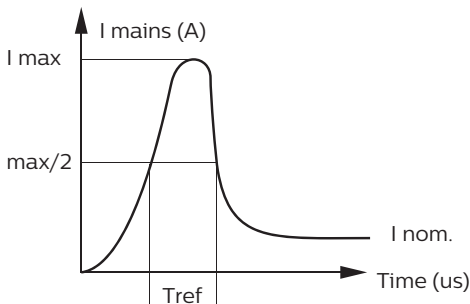
ST150T



| | CCT (K) | Lumen (lm) | P (W) | | |
|--------|--------------|------------|-------|------------|------|
| ST150T | 3000 4000 | 2200 | 24 | 23° 36° | 0.74 |



Inrush current



| Electrical characteristics | |
|----------------------------|-----------------|
| I _{max} (A) | 8.7 |
| T _{ref} (μs) | 125 |
| MCB | Downlights Max. |
| B-10 A | 25 |
| B-13 A | 32 |
| B-16 A | 40 |
| C-10 A | 42 |
| C-13 A | 53 |
| C-16 A | 66 |

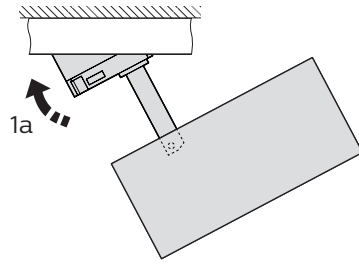
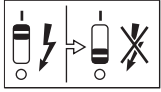


ATTENTION
OBSERVE PRECAUTIONS
FOR HANDLING
ELECTROSTATIC
SENSITIVE
DEVICES

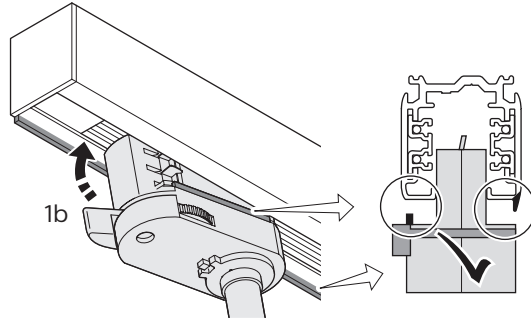
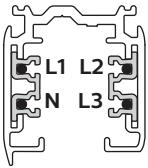
- The luminaire shall be installed by a qualified electrician and wired in accordance with the latest IEE electrical regulations or the national requirements.
- The light source of this luminaire is not replaceable; when the light source reaches its end of life the whole luminaire shall be replaced.
- Clean with dry cloth.
- Philips Lighting warranty is applicable only if the indicated drivers are used.



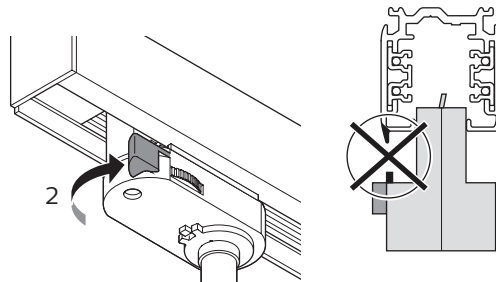
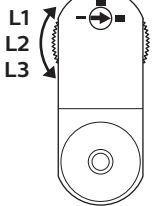
Track version assemble



Global 3~ & 3~ DIN Euro
(Eutrac, Erco, RZB,
Iguzzini, Hoffmeister)



UNLOCK ← → LOCK



Track version disassemble



Never shift the luminaire while light is on.

