

PHILIPS

Dynalite

Relay Controllers

DDRC420FR Relay Controller



Project: _____
 Location: _____
 Cat.No: _____
 Type: _____
 Lamps: _____ Qty: _____
 Notes: _____

Robust control of switched loads

The Philips Dynalite DDRC420FR provides control of any type of switched load, including difficult lighting loads. This four channel device supports all types of switched loads up to 20 A inductive.

Feed-through power circuit design:

Electrically equivalent to a 4 pole contactor, with the added advantage of each pole being separately controllable via the DyNet network.

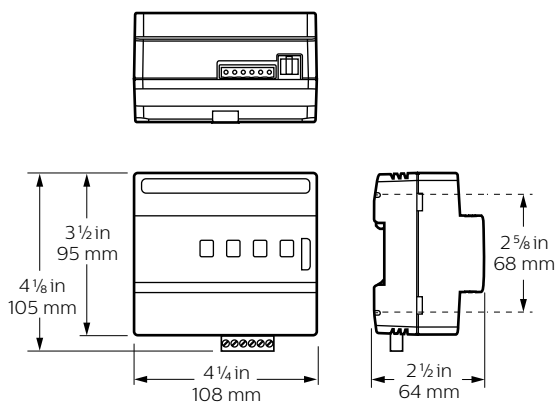
Flexible mounting solution: A DIN-rail mountable device, designed to be installed into the distribution board supplying power to the controlled circuit.

Inbuilt diagnostic functionality: Features circuit run time tracking on each channel and Device Online/Offline status indication.

Multiple wiring schemes supported: Controls single phase and neutral or three phase and neutral (star) wiring configurations.

Hardware override: Service override switch accessible from front panel.

Dimensions



Output Channel Ratings

Load Type	Maximum Rating per Output
	UL/cUL
General Use	16 A, 277 VAC
Incandescent	
Standard Ballast	
Electronic Ballast	16 A, 277 VAC
Motor	16 FLA** (1 HP), 120 VAC 14.5 FLA** (2 1/2 HP), 240 VAC 14.1 FLA** (3 HP), 277 VAC
Inrush Current	500 A

Ordering Code

Product	Philips 12NC
DDRC420FR	913703244609

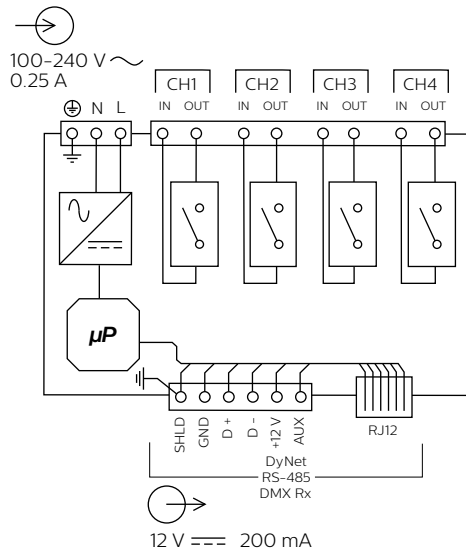
* Note Maximum Device Load and Maximum CH-CH Voltage on Pg 3

** FLA: Full Load Amps

DDRC420FR Relay Controller

Dynalite – Robust control of switched loads

Electrical



Physical

Dimensions (H x W x D)	4.13 x 4.25 x 2.52 in (105 x 108 x 64 mm)
Packed Weight	1.76 lb (0.8 kg)
Construction	Polycarbonate DIN rail enclosure (6 unit)
Serial Ports	1 x RJ12 1 x screw terminal
Serial Port Conductor Size	2.5 mm ² (#12 AWG) (max)
Supply Terminals	1 x screw terminal Line, Neutral, Earth
Supply Terminal Conductor Size	5 mm ² (#10 AWG) (max)
Output Terminals	2 x screw terminal per channel Line In, Line Out
Output Terminal Conductor Size	5 mm ² (#10 AWG) (max)

Electrical

Supply Type	Single-phase
Supply Voltage	100-240 VAC
Supply Current	0.25 A
Outputs	4 x switched feed-through relay with manual override
Output Channel Current	20 A (max)
Output Channel Ratings	(see first page)
Maximum CH-CH Voltage	300 VAC (UL) 400 VAC (CE)
Maximum Group CH2/CH4 Voltage	277/480 VAC per phase (Λ)
DyNet DC Output Voltage	12 VDC
DyNet DC Output Current	200 mA (supply for approx 10 user interfaces)

Environment

Operating temp	32° to 122°F ambient (0° to 50°C)
Storage/Transport temp	-13° to 158°F ambient (-25° to 70°C)
Humidity	0 to 90% non-condensing
IEC Pollution Degree	II

Control

Serial Ports	1 x RS485
Supported Protocols	DyNet, DMX Rx
DMX Rx Channels	4
Dry Contact Inputs	1 (AUX)
Diagnostic Functions	Device online/offline status Network Watchdog
User Controls	1 x service switch Manual override switch for each channel
Indicators	1 x service LEDD

Compliance

Certification	CE, RCM, UL/cUL, FCC, RoHS
---------------	----------------------------

© 2018 Philips Lighting Holding B.V. All rights reserved. Philips reserves the right to make changes in specifications and/or to discontinue any product at any time without notice or obligation and will not be liable for any consequences resulting from the use of this publication.



Philips Lighting North America Corporation
200 Franklin Square Drive, Somerset, NJ 08873
Tel. 855-486-2216

Philips Lighting Canada Ltd.
281 Hillmount Rd, Markham, ON, Canada L6C 2S3
Tel. 800-668-9008